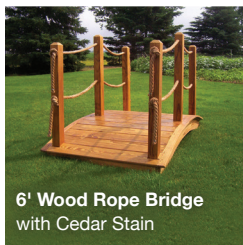


Bridge Creations

The Bridge to a Beautiful Landscape



16' Vinyl Victorian Bridge



6' Wood Rope Bridge
with Cedar Stain



Custom Flat Bridge

Add traditional, rustic charm
to your outdoor surroundings.



**12' Wood Rail Bridge
with Pecan Stain**



**10' Vinyl Arched Railing Bridge
with Kona Color Railing**



**6' Vinyl Rail Bridge
with Clay Railing & Gray Decking**



**33' Vinyl Victorian Bridge
with Laminated Beams, White Railing
& Gray Decking**



**20' Wood
Victorian Bridge
with Golden Oak Stain**



**14' Vinyl
Madison
Bridge
with
White Railing
& Gray Decking**



**10' Vinyl Japanese Bridge
with White Side & Gray Decking**



**8' Bridge
with Aluminum Railing
& Slate Gray Decking**



**8' Wood Victorian Bridge
with Golden Oak Stain**



**16' Wood Japanese Bridge
Painted White**

6' Wood Narrow Japanese Bridge with No Stain



14' Wood Japanese Bridge with Pecan Stain

16' Wood Victorian Bridge with Golden Oak Stain



12' Wood Rope Bridge with Golden Oak Stain

16' Vinyl Bridge without Railing



12' Wood Colonial Bridge with Golden Oak Stain

22' Wood Colonial Bridge with Laminated Beams & Pecan Stain





6' Vinyl Victorian Bridge
with Almond Railing
& Brownstone Decking



14' Wood Victorian Bridge
with Golden Oak Stain



18' Wood Victorian Bridge
with Golden Oak Stain



4' Wood Victorian Bridge
with No Stain



4' Vinyl Victorian Bridge
with White Railing & Gray Decking



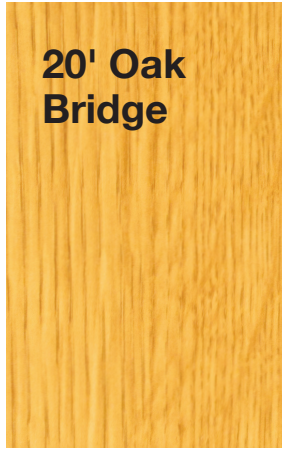
22' Vinyl Victorian Bridge
with Almond Railing, Laminated Beams,
Bump-Out & Bench Seat



10' Vinyl Stairway Bridge with White Railing & Gray Decking



Wood Flower Bed Bridge



20' Oak Bridge



8' Economy Wood Rail Bridge



14' Cedar Victorian Bridge

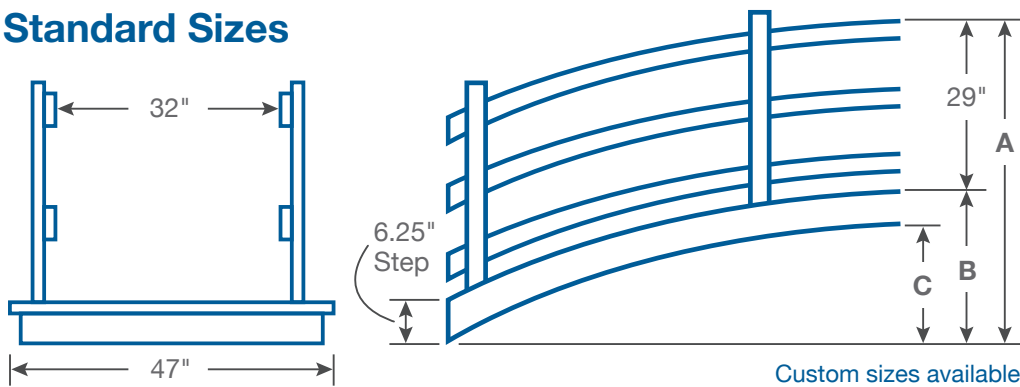


22' Wood Flat Bridge with Charcoal Gray Stain & Bumper Rail

Specifications

- Bridges feature smooth, sanded finish for weather resistance and durability.
- Bridges available with sealer or painted.
- Hand-crafted with selected cuts of #1 pressure-treated southern yellow pine.
- Harmless to pets and plants.
- Double kiln dried.
- Three styles of railing available for bridges.
- Japanese railing is 10" high.
- Standard bridge width is 32" inside and 47" outside.
- Narrow bridge width is 21" inside and 31" outside.
- Wider-than-standard bridges available in 1" increments.
- Laminated beam style is for bridges over 20'.
- Approximately 10% incline on bridge floor.
- Weight limit on regular and wide bridges is 1,000 lbs.
- Weight limit on narrow bridges is 500 lbs.
- Weight limit on bridge should not exceed 25 lb. per square foot.
- Custom bridges available built to your specifications.
- Can be ADA approved if required.
- Bridge designs are subject change without notice.
- Bridges designed for pedestrian traffic. Stronger bridges can be made for motorized traffic.

Standard Sizes



Bridge Length	4'	6'	8'	10'	12'	14'	16'	18'	20'
A Total Height of Bridge to top of post	42"	46"	51"	52"	54"	54"	56"	65"	67"
B Clearance at Arch to top of flooring	9"	11"	17"	18"	20"	22"	24"	28.5"	30"
C Clearance at Arch to bottom of flooring	2"	4"	8.5"	10"	12"	14"	16"	18"	20"

Stains



Golden Oak



Natural Cedar



Pecan

Custom stains or paint available.

Actual stain color may vary from printed brochure.



We offer our bridges stained with wood sealer to help prevent the effects of aging and splitting. We also offer painted bridges.



Vinyl Madison Spindles



Wood Victorian Spindles



Vinyl Victorian Spindles



Wood Colonial Spindles

Vinyl Railing Colors



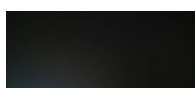
White



Almond



Clay



Black

EverGrain Composite Decking Colors



Gray



Redwood



Weathered Wood



Wood Rail



30' Wood Victorian Bridge with Laminated Beams



20' Vinyl Bridge with Arched Railing



18" x 36" Flower Bed Bridge with Rope



18' Vinyl Bridge with Aluminum Railing and Azek Decking



Custom Design Wood Bridge



Custom Design Wood Bridge



12' Vinyl Victorian Bridge with White Railing & Weathered Wood Decking